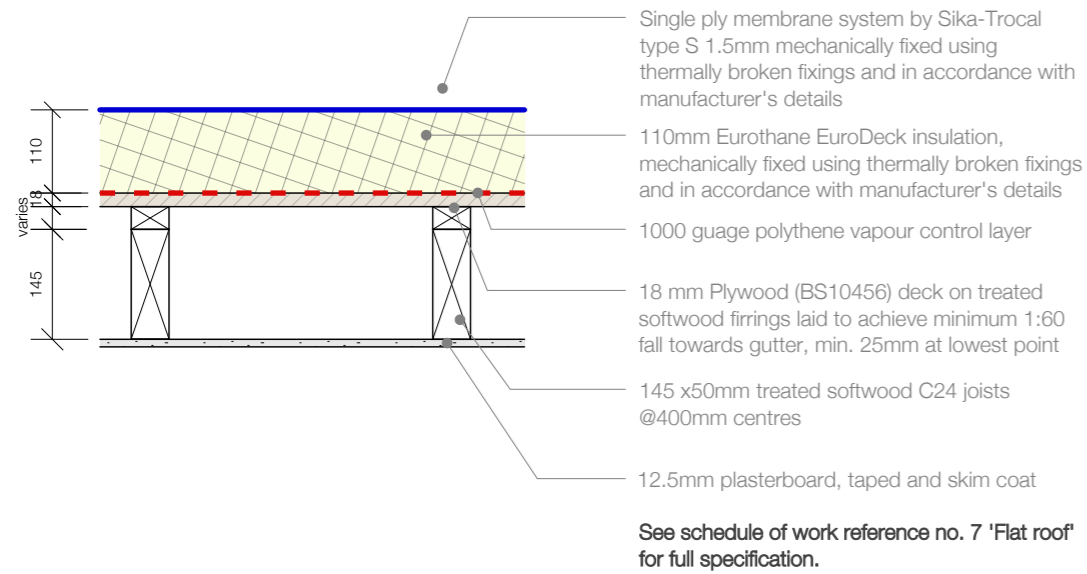


Notes: -  
Rev: -

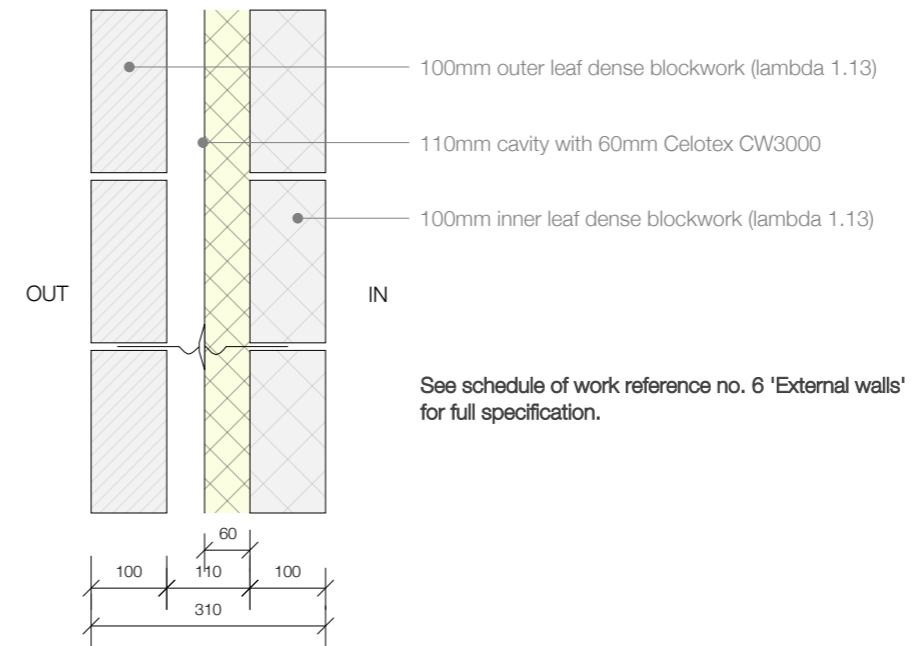
### ROOF TYPE 1 - Flat roof, warm construction

min. U-value 0.18 W/m<sup>2</sup>K



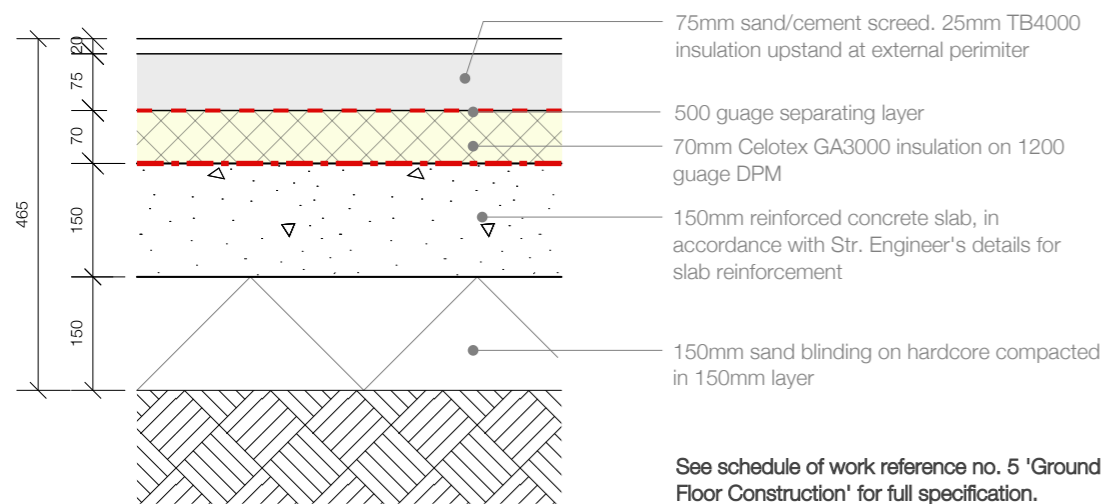
### WALL TYPE 1 - Partial fill cavity wall insulation

min. U-value 0.28 W/m<sup>2</sup>K



### FLOOR TYPE 1 - Insulated screed on new concrete slab

min. U-value 0.22 W/m<sup>2</sup>K



Issue **Tender Issue**

Date: **March 2018**

Project: **Sunnyside Sports, Sunnyside Lane, BS37 4PP Yate**

Title: **New Floor, Wall and Roof Build ups**

Drawn: **SI** Checked: **CA**

Scale: **1:10 at A3**

Drawing: **1206-200**

**ASKEWCAVANNA**  
Architects

14 Backfields Lane,  
Bristol BS2 8QW  
T: 0117 9244606